



TEC7 are introducing new industry standards for the bonding of acoustic panels

Acoustic panel installation Guidelines



Panel Ceiling Mount

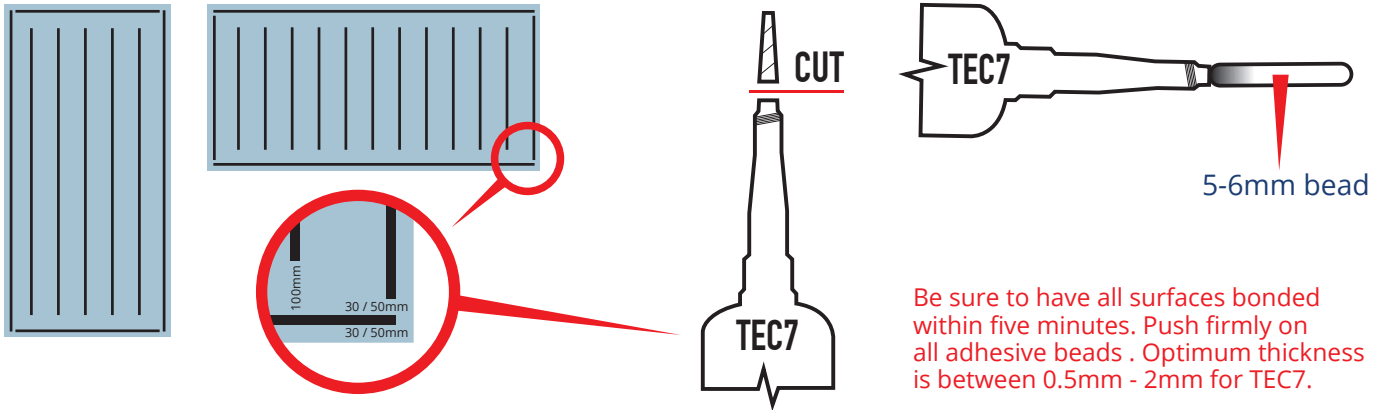
25mm to 50mm thick panels - TEC7 beads at no more than 200mm intervals

Perimeter bead to be 30mm/50mm from edge of panel.

Internal beads of TEC7 adhesive should finish approximately 100mm away from perimeter bead.

Please refer to below illustration.

Prior to bonding on any surfaces please refer to chapter 4 - SURFACE PREPARATIONS.



Panel Wall Mount

25mm thick panels - VERTICAL TEC7 beads at no more than 400mm intervals

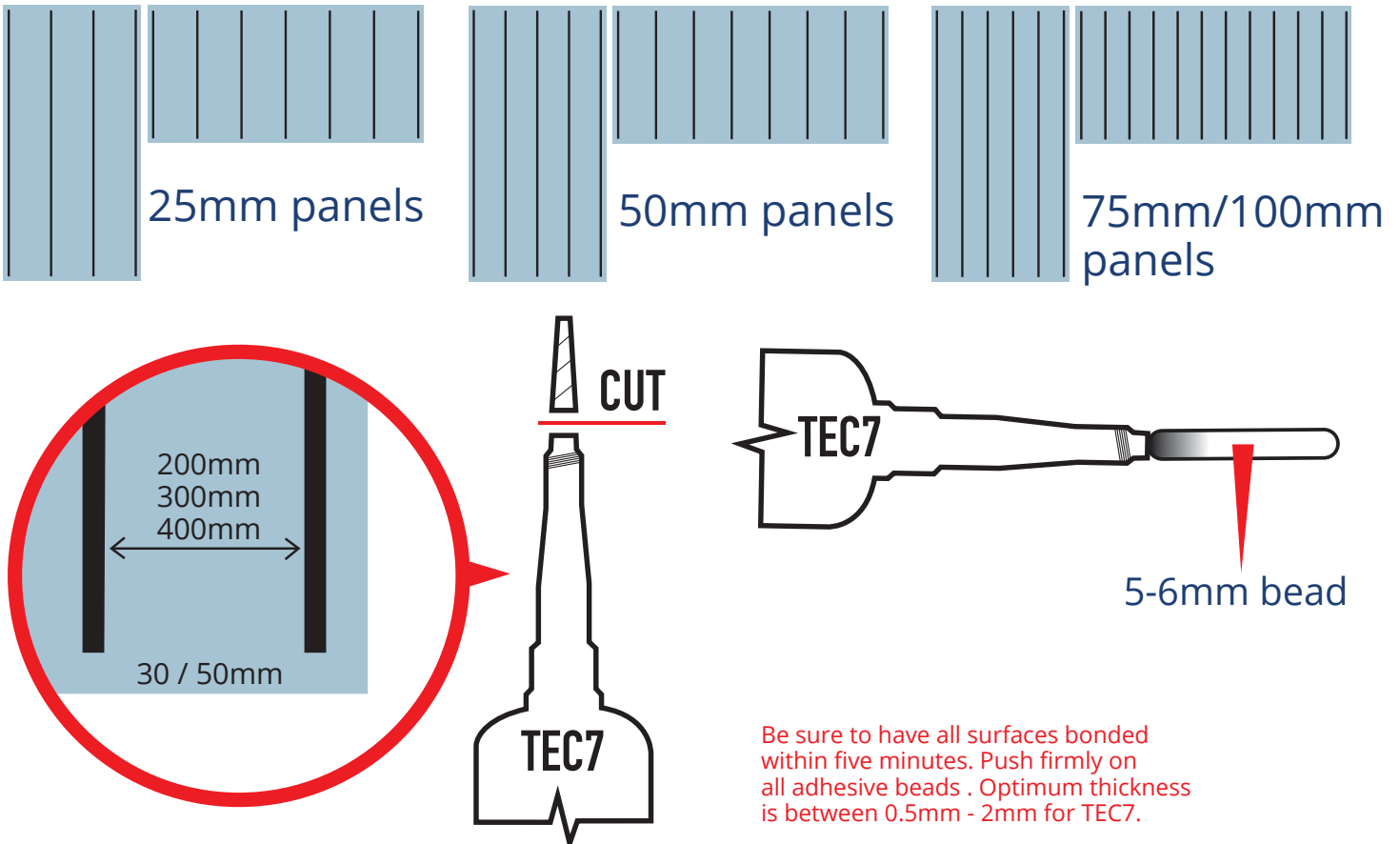
50mm thick panels - VERTICAL TEC7 beads at no more than 300mm intervals

75mm to 100mm thick panels - VERTICAL TEC7 beads at no more than 200mm intervals

Beads of TEC7 to finish 30mm-50mm from edge of panel.

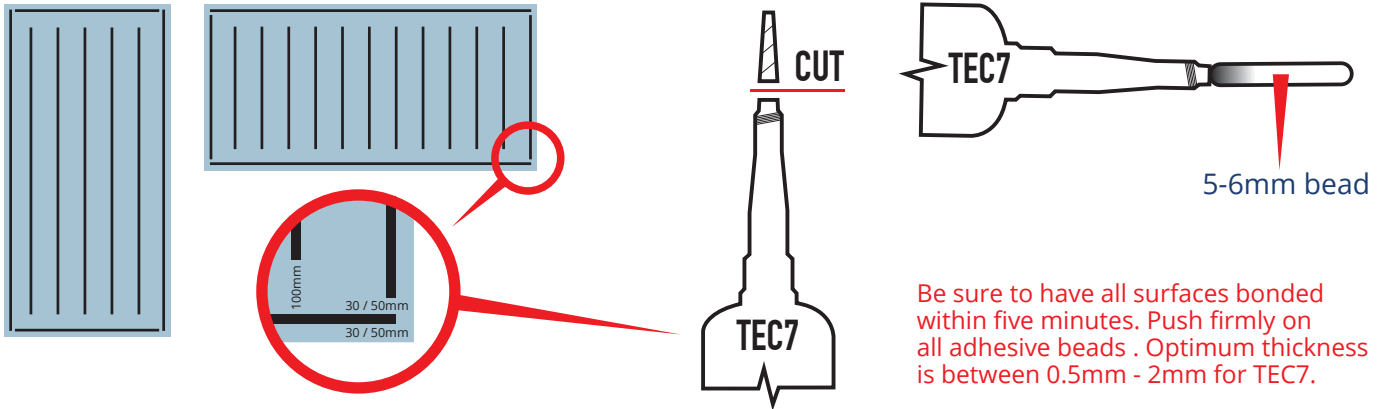
Please refer to below illustration.

Prior to bonding on any surfaces please refer to chapter 4 - SURFACE PREPARATIONS.



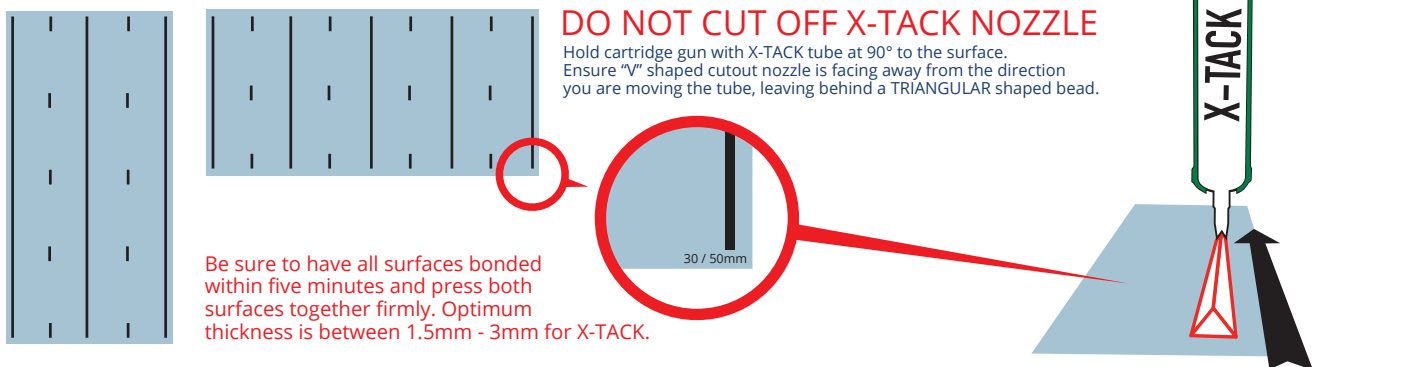
Panel Ceiling Mount

For 6mm / 12mm / 18mm / 24mm thick panels - TEC7 beads at no more than 200mm intervals
Perimeter bead to be 30mm/50mm from edge of panel.
Internal beads of TEC7 adhesive should finish approximately 100mm away from perimeter bead.
Please refer to below illustration.
Prior to bonding on any surfaces please refer to chapter 4 - SURFACE PREPARATIONS.

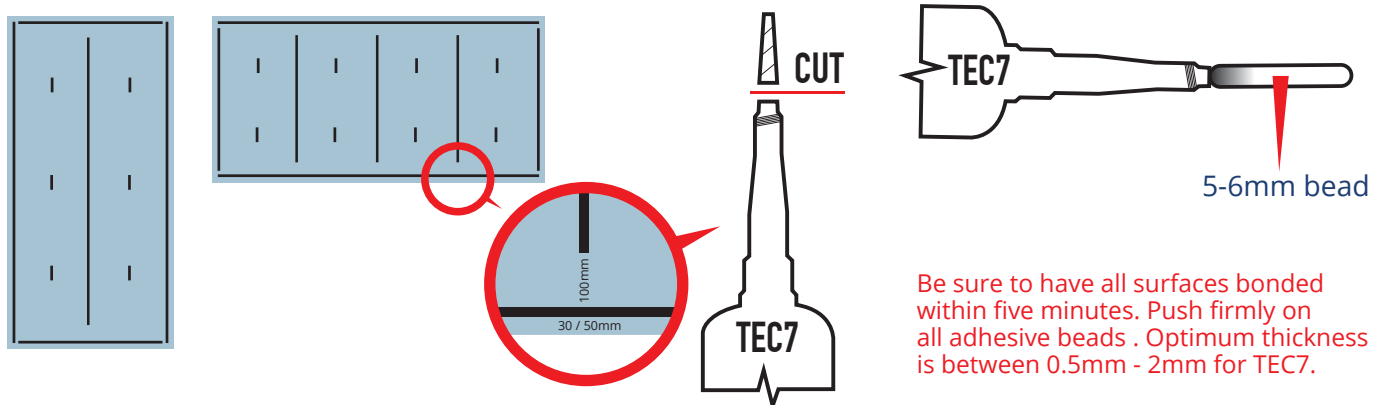


Panel Wall Mount

18mm / 24mm thick panels - VERTICAL X-TACK beads at no more than 600mm intervals
Beads of X-TACK to finish 30mm-50mm from edge of panel.
Anti distortion beads 100mm long.
Please refer to below illustration.
Prior to bonding on any surfaces please refer to chapter 4 - SURFACE PREPARATIONS.



6mm / 12mm thick panels - VERTICAL TEC7 beads at no more than 600mm intervals
Beads of TEC7 to finish 100mm from perimeter bead
Anti distortion beads 100mm long
Perimeter bead to be 30mm/50mm from edge of panel.
Please refer to below illustration.
Prior to bonding on any surfaces please refer to chapter 4 - SURFACE PREPARATIONS.



Surface Preparation

In order to achieve the perfect bond, surface preparation is essential. This can be achieved using our range of TEC7 cleaners and primers.



TEC7 Cleaner:

- Ideal for surface preparation for TEC7 products
- Removes uncured X-TACK and TEC7 adhesives
- Degreasing and cleaning of all surfaces before using adhesives
- Removes residues of contact adhesives, stickers, labels and more

Use: Spray TEC7 Cleaner on the surface to which the panel is to be bonded, allow for cleaner to take effect. Then rub dry with a clean cloth. Allow TEC7 Cleaner to evaporate completely prior to bonding. If necessary, repeat the process.



HP Clean:

- HP Clean is a powerful and deep acting cleaner ideal for the removal of natural pollutants
- Free from solvents and acids, safe on all materials.
- 100% biodegradable, cleaning on all surfaces: walls, floors, plastics, stone, wood, etc.

Use: Spray HP Clean from bottom to top, allow the cleaner to take effect, for heavy soiling scrub with a brush ALWAYS rinse thoroughly, if necessary, rinse with a high pressure cleaner.



MULTI Clean:

- Safe and powerful cleaner and degreaser, draws deeper contaminants to the surface.
- Contains no abrasives, ideal for vertical, horizontal and smooth applications.
- Acid free and safe on all materials.

Test on inconspicuous area for colour fastness

Use: Degreasing prior to adhesion. Shake can well, apply and leave to take effect. Rub off contaminants with a microfibre cloth or paper towel, repeat if necessary. Allow to evaporate prior to bonding.



SEAL & BOND Special Primer:

- Fast, multifunctional adhesive primer for materials that are difficult to glue.
- Ideal for Polypropylene (PP), Polyethylene (PE), Acrylonitrile Butadiene Styrene (ABS)
- Powder coatings, Teflon and other painted surfaces.
- Transparent. does not leave traces or stains.
- Fast and easy to apply, dries fast, economic.

Use: After the surface has been cleaned, shake can of Seal & Bond Special Primer 2-3 minutes (make sure you hear the mixing ball) Spray in one thin layer, let it dry 10 minutes at a temperature of 20°C - Adhesives can be applied after +/- 10 minutes.