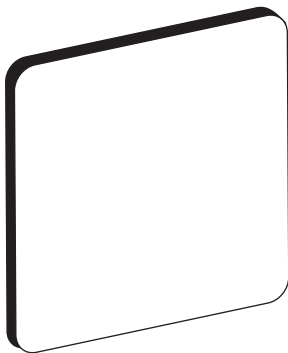
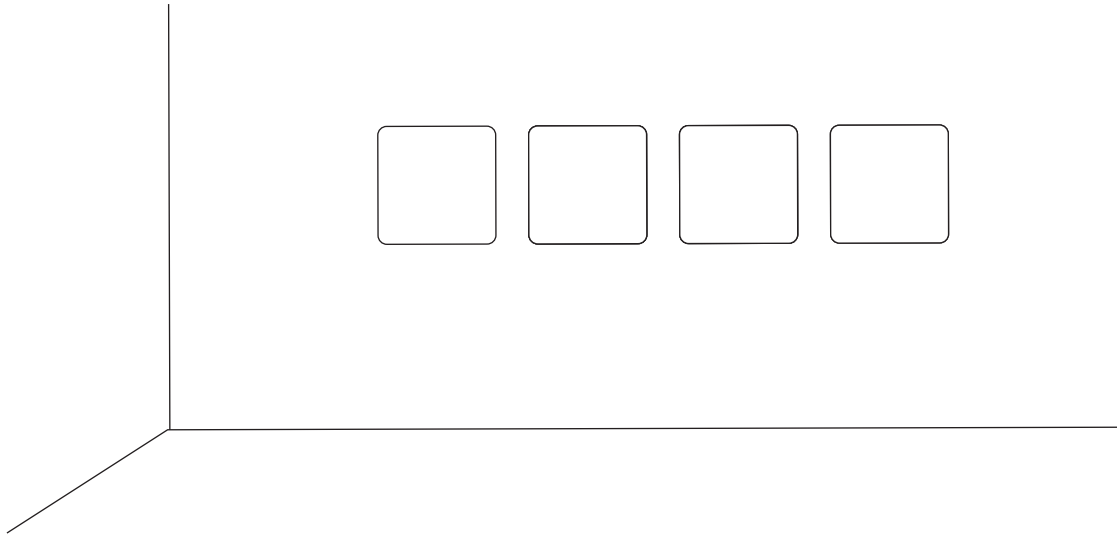


Mounting Instructions for  
ECHOSPEX™ Wall S  
ECHOSPEX™ Wall L  
ECHOSPEX™ Free Stand  
ECHOSPEX™ Slide-On

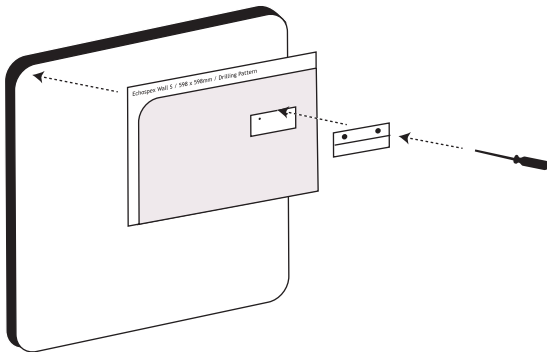


# Mounting Instruction ECHOSPEX™ Wall S 598 x 598mm

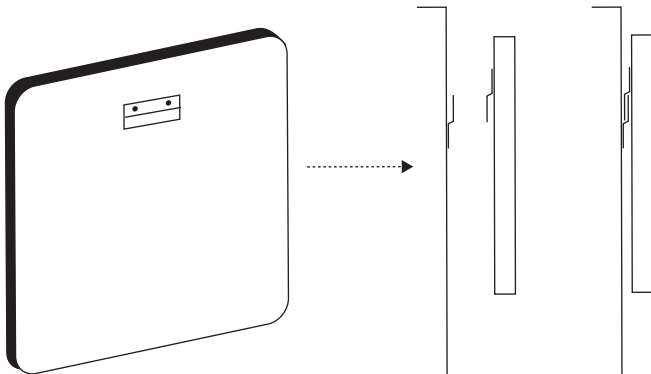


**Step 1**  
Remove from box

Place panel front face down so back of panel is visible. Note if you have purchased option with PERSPEX®, this will be the none PERSPEX® face.



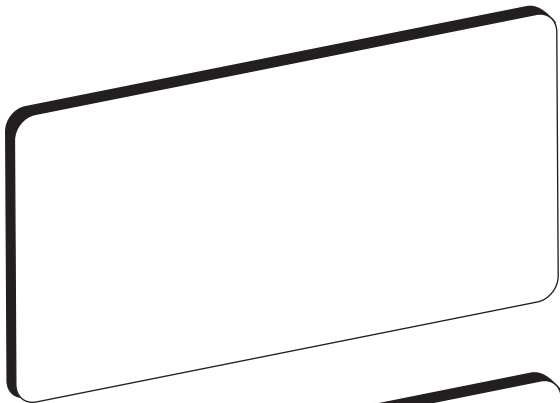
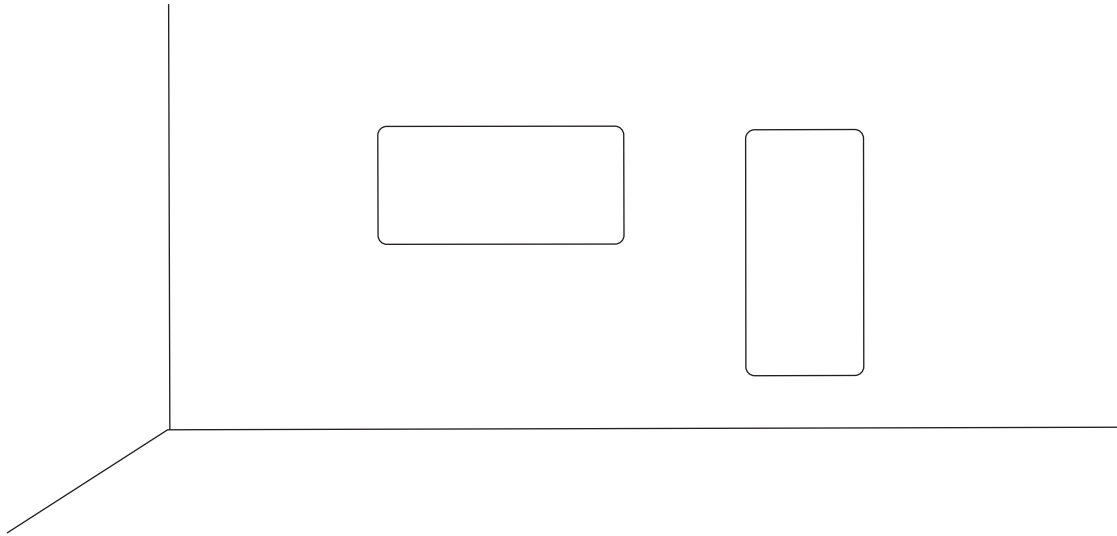
**Step 2**  
Place drilling pattern over panel and fix mounting brackets using a screw driver (Note no pre-drilling is required)



**Step 3**  
Fit mounting bracket to wall and hang

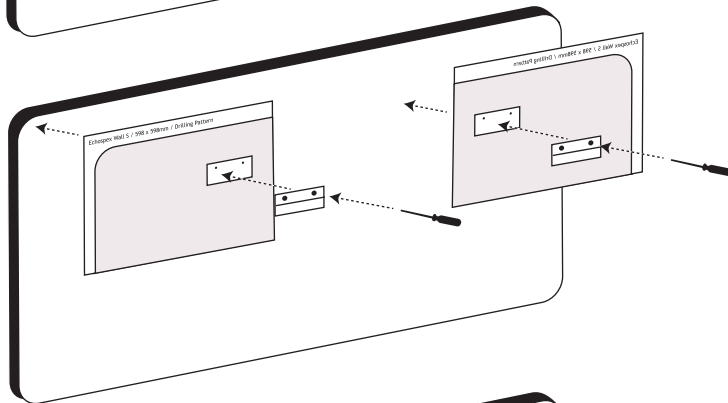
Carefully remove masking from PERSPEX® (optional when purchased )

# Mounting Instruction ECHOSPEX™ Wall L 598 x 1198mm

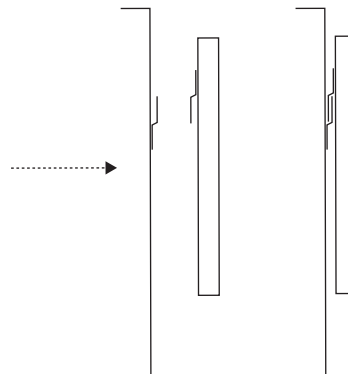
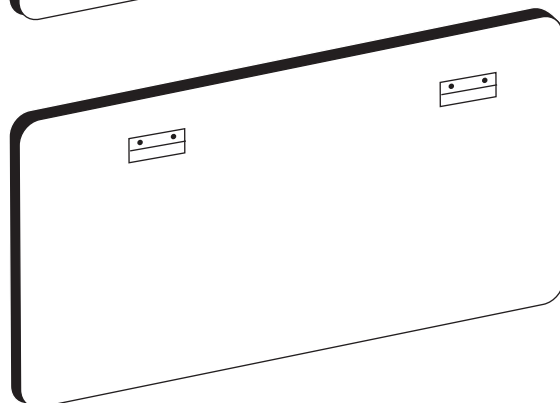


### Step 1 Remove from box

Place panel front face down so back of panel is visible. Note if you have purchased option with PERSPEX®, this will be the none PERSPEX® face.

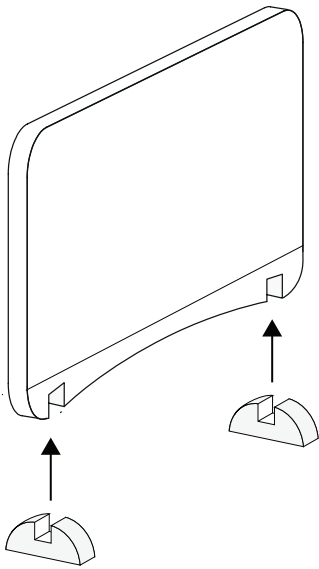
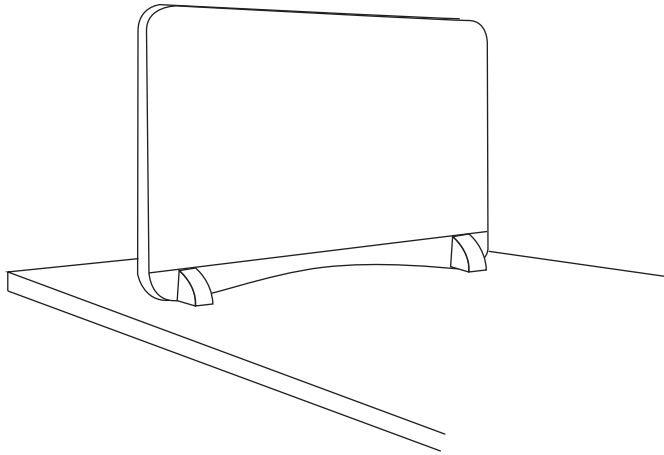


### Step 2 Place drilling pattern over panel and fix mounting brackets using a screw driver (Note no pre-drilling is required)



### Step 3 Fit mounting bracket to wall and hang

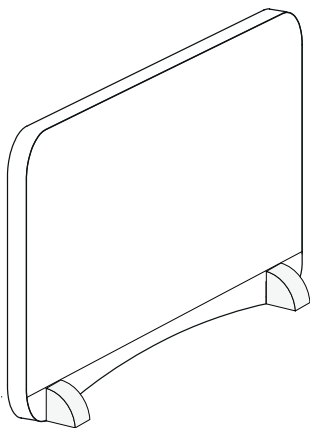
Carefully remove masking from PERSPEX® (optional when purchased )



**Step 1**

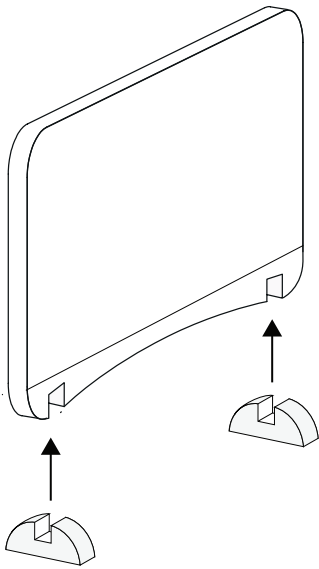
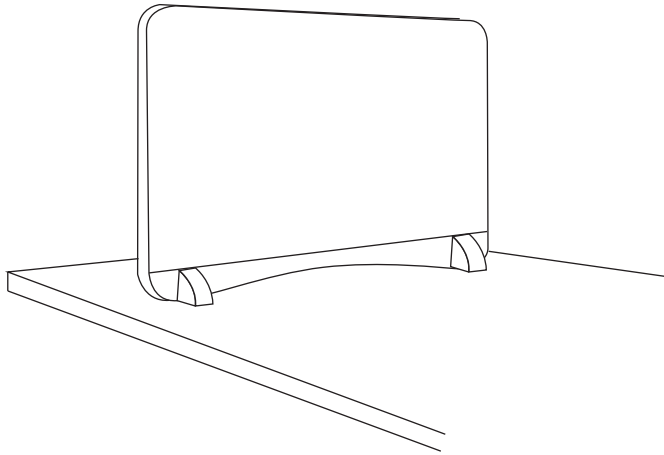
Remove divider and support leg (x2) from box

Carefully remove masking from PERSPEX®  
(optional when purchased )



**Step 2**

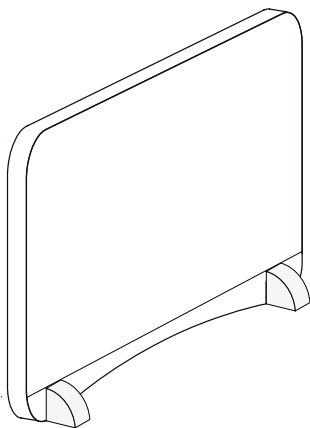
Push legs in place till flush with bottom of screen



**Step 1**

Remove divider and support leg (x2) from box

Carefully remove masking from PERSPEX®  
(optional when purchased )



**Step 2**

Push legs in place till flush with bottom of screen