

# Array 12mm

**Designer:** Woven Image

**Application(s):** Ceilings

## Composition & Pattern

**Composition** EchoPanel Baffles 100% PET (60% post-consumer recycled)

**Hardware Composition** 100% Powder coated Aluminium Alloy 6060

**Colours Available** 34

## Kit & Box Content

**Box Contents** Acoustic baffles plus hardware. Baffle quantities vary depending on design

**Component Details** Hardware includes:  
3 x Array Rail  
3 x Snap cover  
6 x End cap

## Dimensions & Weight

**Dimensions** Hardware and baffle dimensions will vary per design, see drawing on spec.

**Unit of Sale** Box

**Unit of Sale Net Weight (kg)** 21

## Performance

<b>Fire Test Result</b>	ISO 9705: Group 1, BS EN 13501.1: Classification B - s1, d0, ASTM E84 Unadhered: Class 1 or A
<b>Acoustic Performance Standard Test Method</b>	AS ISO 354: 2006 (R2016), AS ISO 11654: 2002 (2016), ASTM C423 - 17
<b>Noise Reduction Coefficient (NRC) Result</b>	Direct fix: 0.70
<b>Sound Absorption Average (SAA) Result</b>	Direct fix: 0.68
<b>Weighted Sound Absorption Coefficient (<math>\alpha_w</math>) Result</b>	Direct fix: 0.65(H)
<b>Sound Absorption Class</b>	C (Direct fix)
<b>Equivalent Absorption Area (<math>A_{eq}</math>) in <math>m^2</math> Sabins</b>	Direct fix: 125Hz = 0.14m <sup>2</sup> , 250Hz = 0.39m <sup>2</sup> , 500Hz = 0.42m <sup>2</sup> , 1000Hz = 0.53m <sup>2</sup> , 2000Hz = 0.72m <sup>2</sup> , and 4000Hz = 0.77m <sup>2</sup>
<b>Additional Acoustic Information</b>	Baffles tested were 2400mm x 300mm x 12mm, at 300mm spacing/centres. H = High Frequency
<b>Colour Fastness to Light Standard Test Method</b>	ISO 105 B02
<b>Colour Fastness Light Rating</b>	6 - 7
<b>Light Reflectance Standard Test Method</b>	ASTM E1477

## Sustainability

<b>VOC Emissions Results</b>	EchoPanel 12mm achieves ASTM D5116 - 2017: TVOC Emissions Rate: 0.033mg/m <sup>2</sup> /hr (24hrs); Formaldehyde Emissions Rate: 0.07mg/m <sup>2</sup> /hr. CDPH Standard Method v1.2 - 2017 (CA 01350): TVOC Emissions Rate: 0.013mg/m <sup>3</sup> ; Formaldehyde Emissions Rate: <1µg/m <sup>3</sup>
------------------------------	---

## Sustainability Performance



### Sustainability Performance Details

EchoPanel achieves GreenTag Certification GreenRate: Level A & Health Rate Platinum, Red List Free, and has an International Living Future Institute Declare Label. Array Baffles meet the sound reducing ceiling treatment requirements to attract points under feature S04 of WELL™ Standard v2.

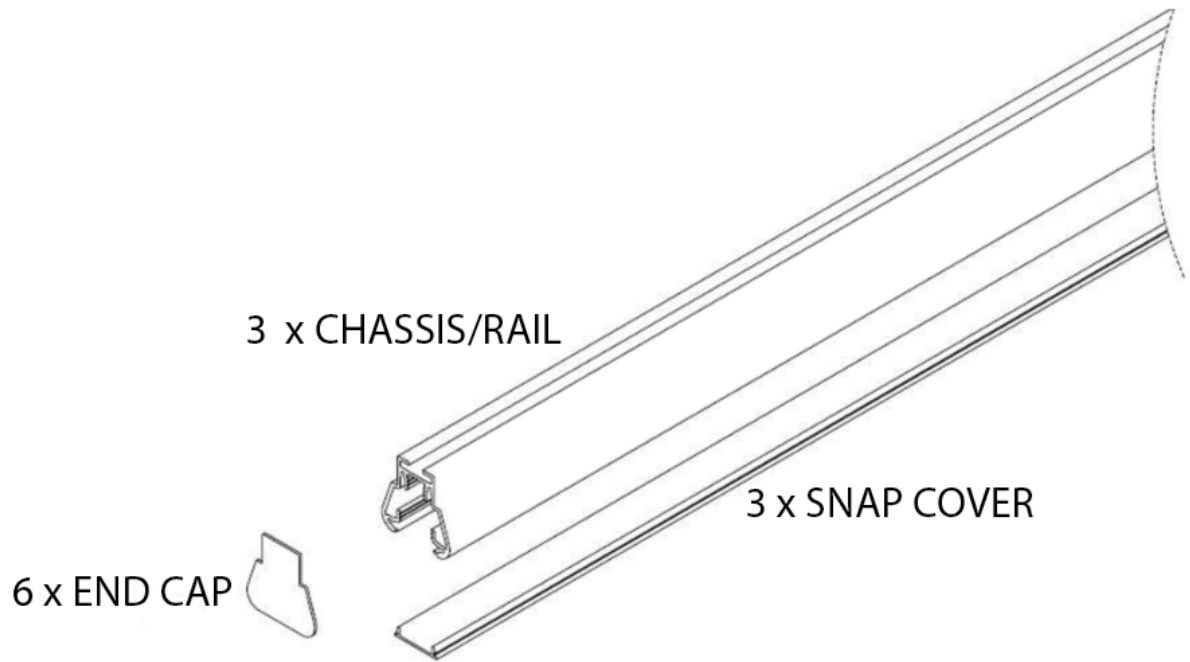
## Instructions

### Additional Information

See Woven Image EchoPanel Care & Cleaning Guide.  
See Woven Image Array Installation Guide.

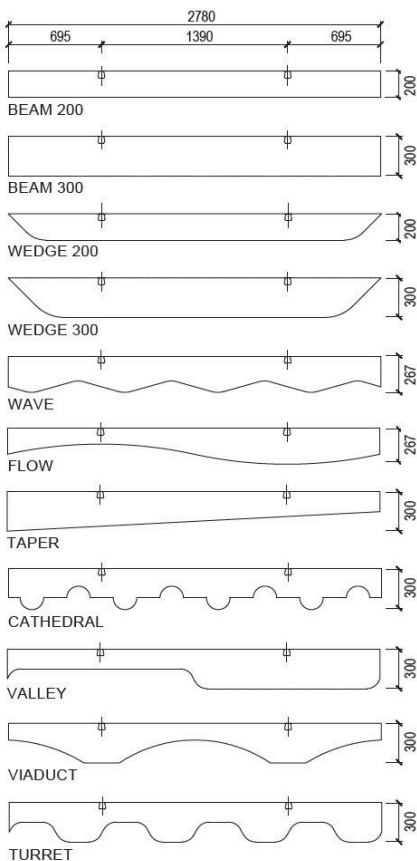
Exact colour matching cannot be guaranteed between batches. Fibre mix and web variation are natural characteristics of this product.

ARRAY HARDWARE - FOR 12MM BAFFLES



# ECHOPANEL® BAFFLE DESIGNS - OVERVIEW

## ECHOPANEL® 24MM:



Baffle QTY per kit:

12 baffles

8 baffles

12 baffles

8 baffles

10 baffles

12 baffles

10 baffles

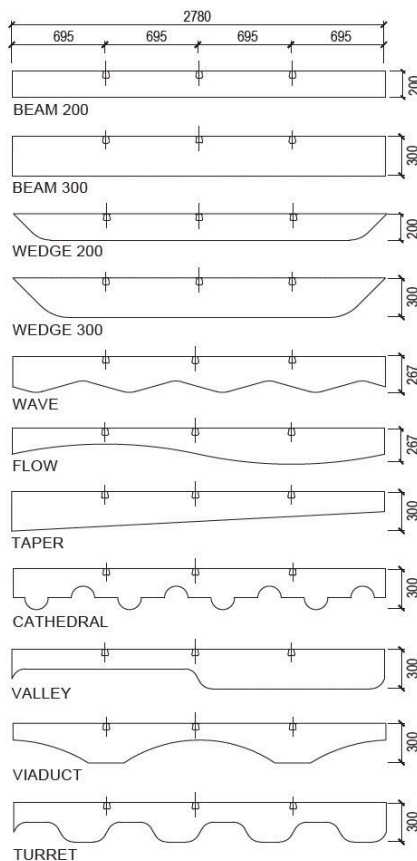
10 baffles

10 baffles

8 baffles

10 baffles

## ECHOPANEL® 12MM:



+/- 5mm tolerance on dimensions