

Integrated handle now available with alifrost® doors.

Introducing new 'alihandle™', an integrated, flush fitted, handle option, which is now exclusively available on all alifrost® aluminium frame doors*.

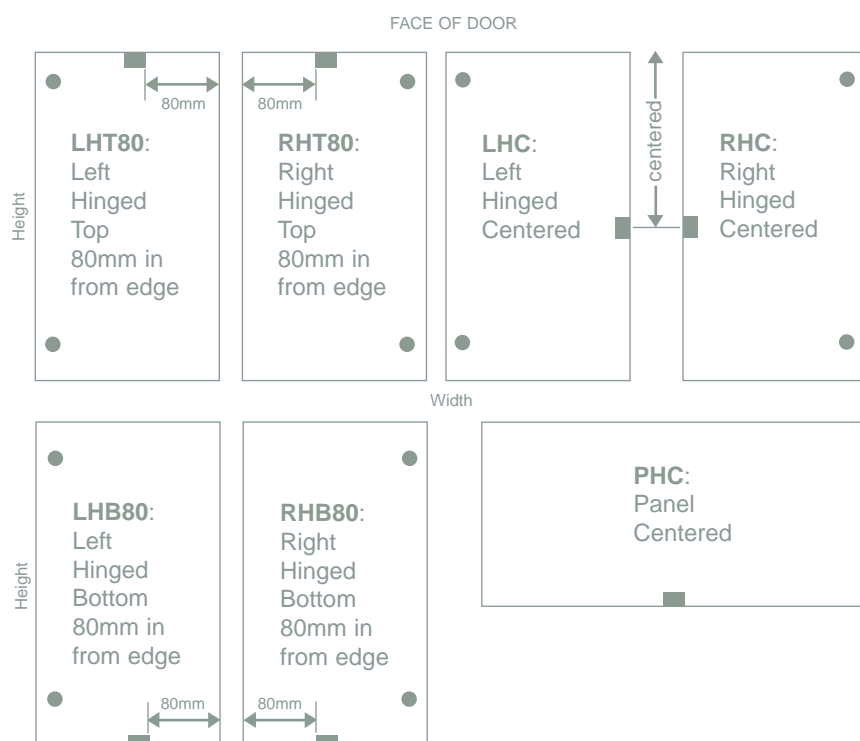
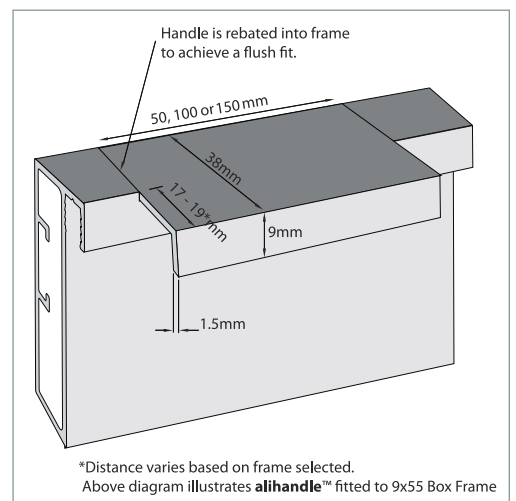
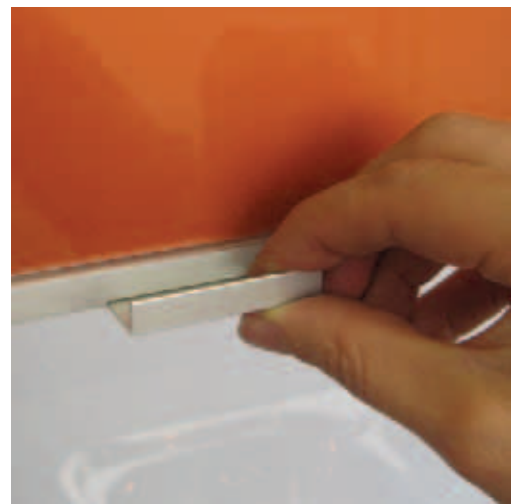
Now when you order an alifrost® door, you can also have a handle flush fitted within the frame. Simply select from the available sizes, set positions and we do the rest.

Features:

- Handle Lengths: 50, 100 & 150mm
- Available on all alifrost® frames including NEW 43x55 Flat*
- Fixed handle positions for easy ordering
- Flush fitting design
- Door & handle supplied pre-drilled ready for quick assembly.

Ordering:

To order 'alihandle™', please use the latest alifrost® order form available from www.alifrost.com.au. When ordering please specify your handle length and select position (see below) where indicated on the order form.



*Alihandle® is not available on 43 x 55 Flat in Euro Stainless finish. Please refer to availability chart for further information.

alifrost® doors

p 03 9558 1544

www.alifrost.com.au