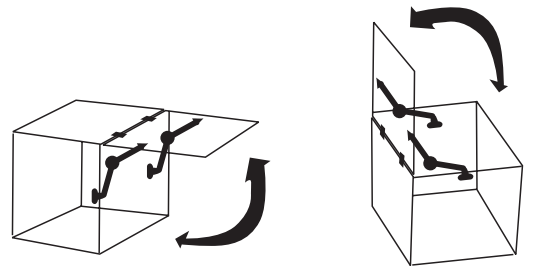
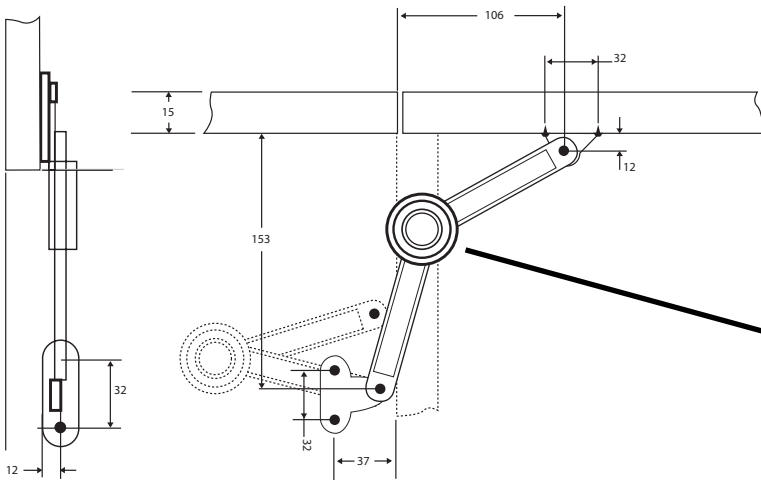
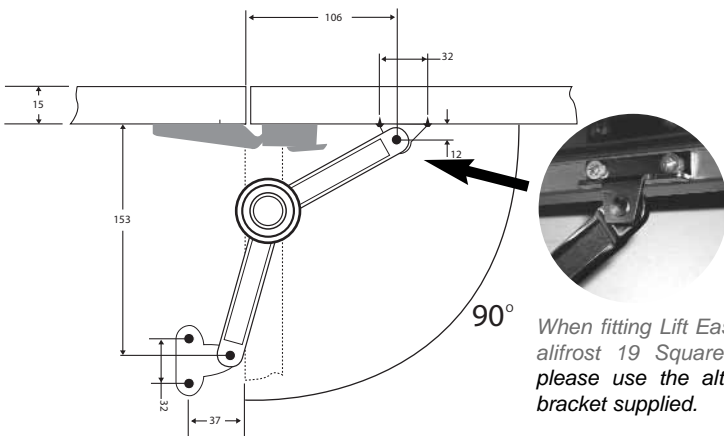


Lift Easy Stay

PRODUCT SIZE INSTRUCTION

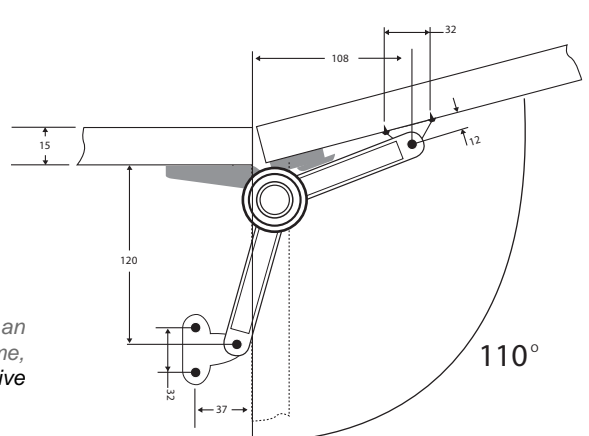


- * Steel, zinc alloy, surface nickel plated
- * Adjust screws to attain the best result
- * Two installation results (see above figures)
- * Suitable for alifrost doors and traditional cabinet doors



When fitting Lift Easy to an alifrost 19 Square frame, please use the alternative bracket supplied.

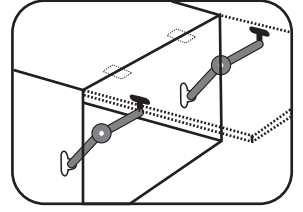
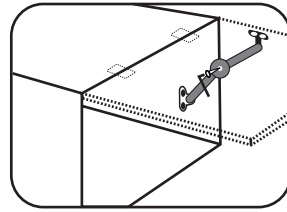
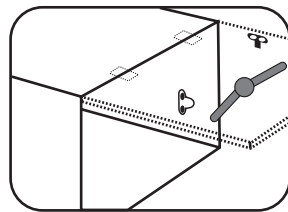
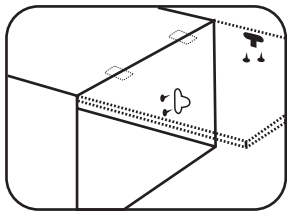
For use on alifrost 19 Square, 46 Step and 46 Curved frames.



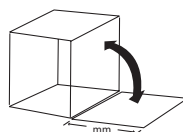
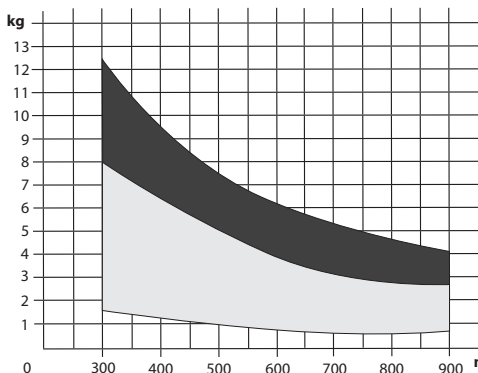
For use on alifrost 9x55 Box, 55 Slimline, 43x55 Flat frames and traditional cabinet doors

INSTALLATION PROCEDURE

- Step - 1** Fit fixing plates. For alifrost doors pre-drill a 3mm hole and use an 8g screw
- Step - 2** Put the body of the arm on the fixing plate
- Step - 3** Adjust the centre arm as required.
- Step - 4** Please note for larger doors two stays maybe required, see below chart.



BEARING CAPACITY INSTRUCTION



- Use one
- Use two together

Warning: This product is designed for the use with light weight cabinet doors and furniture only. We do not accept responsibility for loss or damage as a result of unsuitable installation. Please do not exceed the recommended weight capacity.

hardware for

 alifrost® doors

p 03 9558 1544 www.alifrost.com.au

Mitchell Laminates reserves the right to make technical changes without notice. Whilst we have done our best to ensure the accuracy of catalogue data, we take no responsibility for any errors. Alifrost® is a registered trademark of Mitchell Laminates.