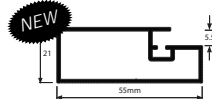
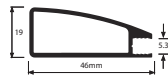
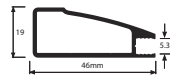


Customer A:	Page of		
Address:	Customer Signature		
Customer B:	<i>OFFICE USE ONLY v1.0</i>	<i>PORT</i>	<i>DINGLE</i>
Address:	<i>Job</i>		
Phone:	Fax:	<i>Invoice Number</i>	
Contact:	Date Ordered:	<i>Date of Order Received</i>	
Order Reference:	O/N:	<i>Box Required</i>	<i>YES</i> <i>NO</i>

1 FRAME:



CA = Clear Anodised 19 Square (CA)

46 Step (CA)

46 Curved (CA)

43x55 Flat (CA)

9x55 Box (CA)

ES = Euro Stainless

43x55 Flat (ES)

2 Insert Options:

Option 1: Standard Signage
2 x 2mm Clear Commercial Acrylic Inserts*

Option 2: Backlit Signage
1 x 1mm Clear Commercial Acrylic (Front sheet)*
1 x 3mm Opal Commercial Opal 433 (Back sheet)*

Other _____

Commercial Clear is a quality Asian Grade of clear cast acrylic sheet. Commercial Clear is gloss both sides. Commercial Clear is not covered by a warranty or guarantee.

Commercial Opal 433 is a milky white translucent gloss grade of acrylic sheet with an approximate 51% light transmission level. Opal 433 is gloss both sides. Opal 433 is not covered by a warranty or guarantee.

*Inserts within AliSign™ doors and panels are loosely fitted, to allow for graphic insertion. AliSign™ doors and panels do not include an anti rattle beading.

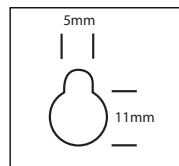
To insert graphic, remove screws and gently slide frame apart, before inserting graphic between Acrylic inserts and re-assembling frame. For more detailed information refer to brochure. *AliSign™ panels are designed for graphics of no more than 0.7mm thick.

3a Select Your Door / Panel

- Key Hole for hanging (Charges Apply) (See Opposite)
- Hinged*
- Panel Only (No pre drilled holes)
- Hinge Holes only** (Charges Apply)

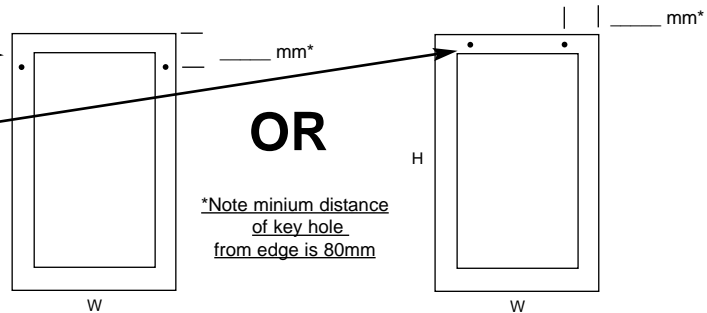
*95° Hinge supplied with 19mm & 46mm profile, 110° Hinge supplied with 55mm profile. **Special Hettich hinge hole supplied on 19mm, 26mm Cup on 46mm, 35mm Cup on 55mm.

3b Keyhole Position Option A



*Key Hole is positioned in middle of profile

Option B



4 Calculate Door size required - To calculate finished door size required, begin with your graphic insert height and width and add the following measurements based on the profile selected i.e. 19mm = +27mm, 46mm = +81mm, 55mm = +7mm. For example if the graphic size is to be A1 or 841mm x 594mm and profile selected was 19mm, then the finish door size would be 868mm x 621mm. Please note, when creating your graphic allow for a visible bleed area 12mm all the way around.

5 Door Size - Hinge positions are 100mm from the top & bottom to centre, other hinges equally spaced from the centre. Number of hinges supplied as per price list specifications. Orders outside these specifications will not be covered by warranty or guarantees. Please check specifications before ordering.

Qty	Height	Office Use Only	Width	Office Use Only	Special Comments	Left or Right Hinge Position from face of door
1		X				
2		X				
3		X				
4		X				
5		X				
6		X				

Please fax order to (03) 9558 3173